

OFFICIAL NCAA BASKETBALL BOX SCORE: *** FINAL ***

Date: 03-15-90 Site: Girls Sweet Sixteen; 8.G.

VISITORS (Last Name, First)

NO.	George Rogers Clark	Tot FG		3-POINT		FT	FTA	Rebounds			PF	TP	A	TO	BLK	S	TIME
		FG	FGA	FG	FGA			OFF	DEF	TOT							
23	Hull, Audrey	1	3	0	0	0	0	0	0	0	0	2	1	2	0	0	16:00
30	Robinson, Lea	6	13	0	0	2	2	1	4	3	3	14	1	3	1	3	32:00
12	Thomas, Naisha	4	6	0	0	0	2	2	6	8	2	8	2	3	0	2	32:00
25	Noore, Tiffany	0	0	0	0	2	2	0	0	0	1	2	0	1	0	0	18:22
32	Davis, Stephany	0	5	0	1	1	2	1	0	1	2	1	3	1	0	1	32:00
31	Hurst, Tara	4	7	0	0	0	1	3	0	3	3	8	1	0	0	0	13:38
11	Lightner, Mary	3	4	0	0	0	0	1	1	2	0	6	2	1	0	0	16:00
TEAM REBOUNDS (INCLUDED IN TOTALS)								1	1	2							
TOTALS		18	40	0	1	3	9	9	12	21	11	41	10	11	1	8	160

TOTAL FG	1st HALF	10/24	41.7%	2nd HALF	8/16	50.0%	GAME	18/40	45.0%	DEADBALL	
3-POINT FG	1st HALF	0/1	0.0%	2nd HALF	0/0	0.0%	GAME	0/1	0.0%	REBOUNDS	1
FREE THROWS	1st HALF	3/4	75.0%	2nd HALF	2/3	40.0%	GAME	3/9	33.3%		

HOME (Last Name, First)

NO.	Boyle County	Tot FG		3-POINT		FT	FTA	Rebounds			PF	TP	A	TO	BLK	S	TIME
		FG	FGA	FG	FGA			OFF	DEF	TOT							
23	Johnson, Angie	3	8	0	0	1	2	0	0	0	1	11	1	4	1	2	32:00
32	Feistritzer, Kim	3	7	0	0	4	6	1	6	7	1	10	0	2	0	1	32:00
11	Wren, Milessa	4	7	0	0	0	0	0	2	2	1	8	4	2	0	0	28:54
12	Ford, Michele	1	3	0	0	0	1	1	0	1	1	2	2	1	0	0	32:00
14	Carey, Tina	4	4	0	0	0	1	0	4	4	3	8	4	2	0	1	32:00
30	Pass, Lacsresha	0	0	0	0	0	0	0	0	0	0	0	0	1	0	0	1:06
24	Kitchin, Kim	0	0	0	0	0	0	0	0	0	0	0	0	0	0	0	2:00
TEAM REBOUNDS (INCLUDED IN TOTALS)								2	2	4							
TOTALS		17	29	0	0	3	10	4	14	18	7	39	11	12	1	4	160

TOTAL FG	1st HALF	11/19	57.9%	2nd HALF	6/10	60.0%	GAME	17/29	58.6%	DEADBALL	
3-POINT FG	1st HALF	0/0	0.0%	2nd HALF	0/0	0.0%	GAME	0/0	0.0%	Rebounds	3
FREE THROWS	1st HALF	4/8	50.0%	2nd HALF	1/2	50.0%	GAME	5/10	50.0%		

OFFICIALS: Danny Percell, Phillip Tucker, Alt.-D. Henry

SCORE BY PERIODS

Technical: None

George Rogers Clark	13	10	8	10	=	41
Boyle County	15	10	6	7	=	39

Attendance:

COMMENTS: POINTS OFF TURNOVERS

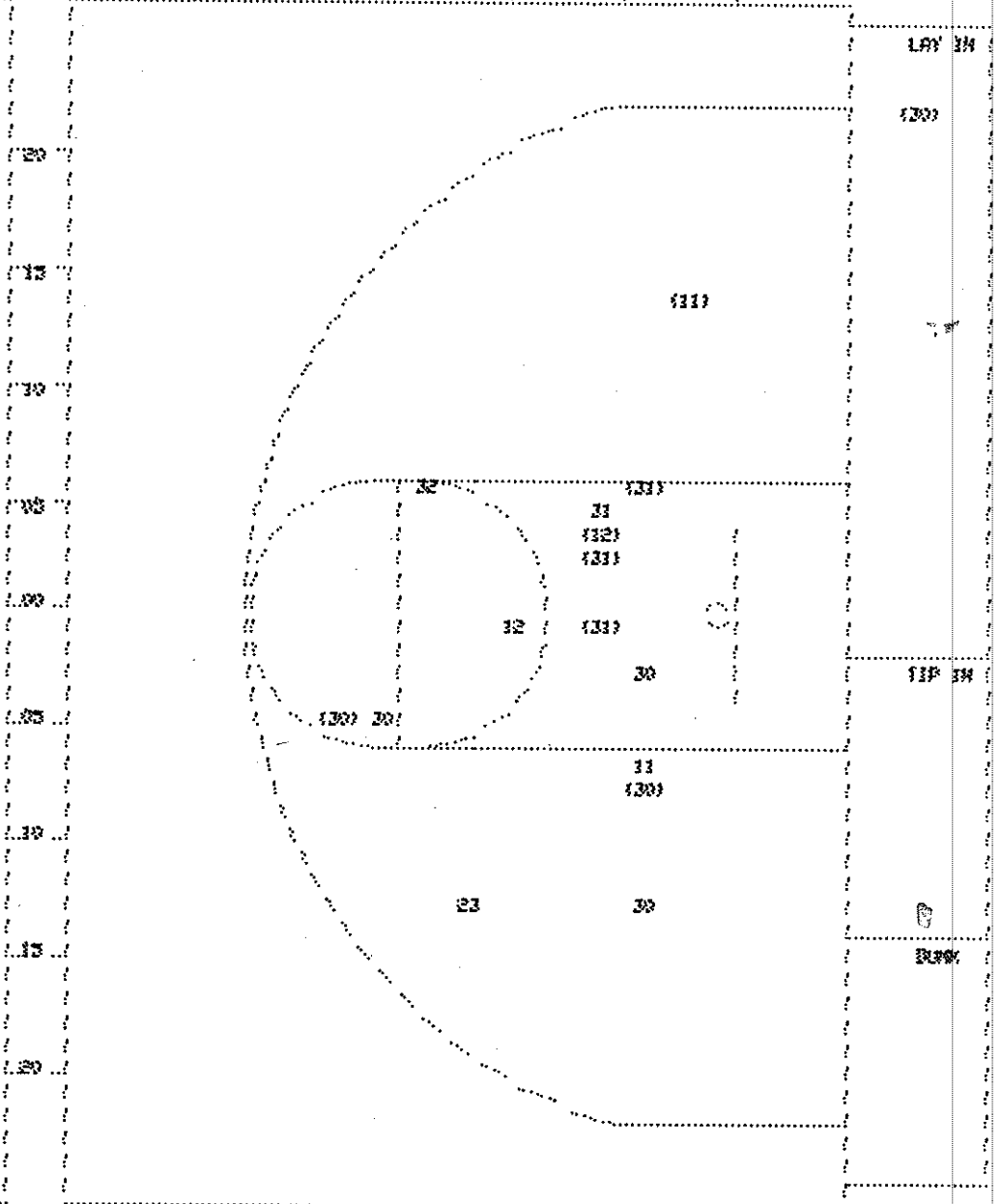
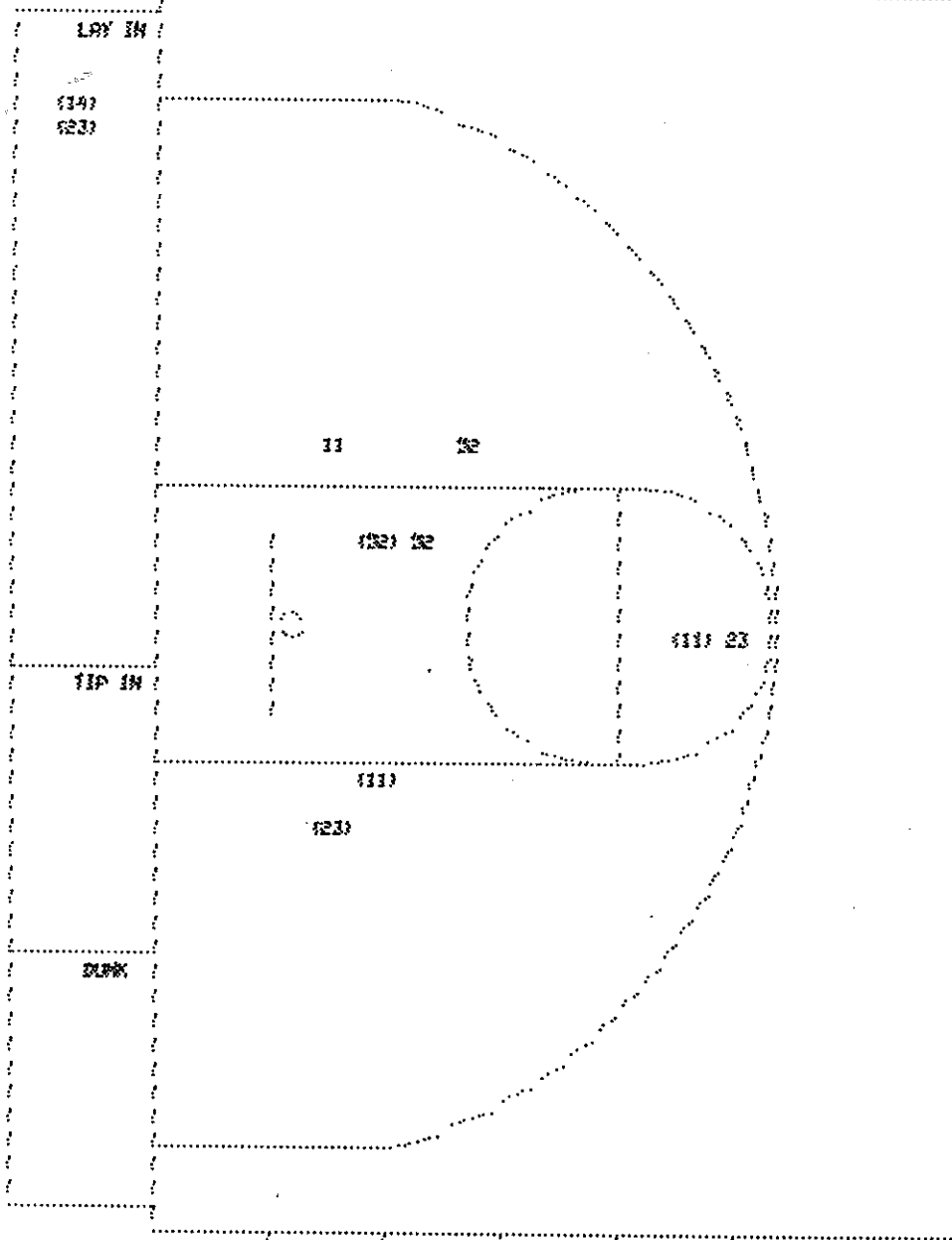
SECOND CHANCE POINTS

George Rogers Clark 15 Boyle County 10 George Rogers Clark 10 Boyle County

Player	Team	Boyle County	Time	Score	George Rogers Clark	Player	Team
Johnson, Angie, Feistritzer, Kim, Wren, Millesa, Ford, Michele, Carey, Tina					Lightner, Mary, Davis, Stephany, Robinson, Lee, Thomas, Maisha, Hurst, Tara		
Ball to Lady Cardinals					Ball to Lady Cardinals		
1	2	Foul on Feistritzer, Kim	4 7:03	32-33*	4 ft Lane Follow by Hurst, Tara	3-5	30.0X 14-34 41.1X
1	3	Foul on Johnson, Angie	4 7:03		Hurst, Tara 1 Free Throw - missed	0-1	00.0X 5-7 71.4X
			4 7:07		Thomas, Maisha 2 Free Throws - missed both	0-2	00.0X 5-9 55.5X
4-5	55.5X	5-10 30.0X	4 8:02	*33-33	Foul on Hurst, Tara	3	3
		Feistritzer, Kim 2 Free Throws - missed 1st made 2nd	4 8:16	33-33*	16 ft Circle Jump shot by Robinson, Lee	5-11	38.4X 12-35 42.8X
					Assist by Thomas, Maisha	2	7
4-4	30.0X	12-27 25.2X	4 8:31	*33-33	6 ft Left Side Turnaround by Hurst, Tara	4-7	57.1X 16-35 44.4X
		Layup Off Fast Break by Carey, Tina	4 8:31		Assist by Lightner, Mary	1	3
4-7	37.1X	16-33 37.1X	4 4:43	*37-37			
9	11	Assist by Carey, Tina					
3-8	52.2X	17-23 38.6X	4 4:13	*33-37			
		3 ft Left Base Line Jump shot by Johnson, Angie					
		REB: 17 R: 11 BLK: 1 TD: 9 PF: 3	4 3:36		REB: 21 R: 9 BLK: 1 TD: 10 PF: 3		
		S: 4 FT: 5-10 30.0X FG: 17-23 38.6X	T I M E - O U T George Rogers Clark No. 1		S: 3 FT: 3-3 25.0X FG: 15-37 41.2X		
1	4	Foul on Wren, Millesa	4 2:23				
			4 2:06	33-33*	5 ft Lane Jump shot by Robinson, Lee	5-12	40.0X 17-33 43.2X
					Assist by Lightner, Mary	2	9
4	12	Dribbling Error on Johnson, Angie	4 1:46		Steal by Thomas, Maisha	1	3
			4 1:44				
		REB: 18 R: 11 BLK: 1 TD: 12 PF: 4	4 1:24		REB: 21 R: 9 BLK: 1 TD: 11 PF: 3		
		S: 4 FT: 5-10 30.0X FG: 17-23 38.6X	T I M E - O U T George Rogers Clark No. 2		S: 3 FT: 3-3 25.0X FG: 17-33 43.2X		
			4 0:04	33-41*	14 ft Left Base Line Jump shot by Lightner, Mary, made	3-9	73.0X 18-40 45.0X
					Assist by Davis, Stephany	3	10
		REB: 18 R: 11 BLK: 1 TD: 12 PF: 4	4 0:03		REB: 21 R: 10 BLK: 1 TD: 11 PF: 3		
		S: 4 FT: 5-10 30.0X FG: 17-23 38.6X	T I M E - O U T No. 2 Boyle County		S: 3 FT: 3-3 25.0X FG: 18-40 45.0X		

Player	Team	Boyle County
Johnson, Angie, Feistritzer, Kim, Wren, Milessa, Ford, Michele, Carey, Tina		
3-3	80.0X	12-21 37.1X
2		8
6 ft Left Side Turnaround by Wren, Milessa		
Assist by Carey, Tina		
4-5	85.5X	13-22 33.0X
2		3
Assist by Ford, Michele		
1		1
Foul on Carey, Tina		
REP: 13 R: 9 BLK: 1 FO: 3 PF: 1		
S: 1 FT: 4-8 30.0X FB: 13-23 36.2X		
Sub In: Pass, Lacrecha Out: Wren, Milessa		
Sub In: Mitchin, Kim Out: Pass, Lacrecha		
1-5	30.0X	14-24 35.2X
1		10
4 ft Lane Bank by Feistritzer, Kim		
Assist by Carey, Tina		

Time	Score	George Rogers Clark	Player	Team
Hull, Audrey, Robinson, Lea, Thomas, Maisha, Moore, Tiffany, Davis, Stephany				
Ball to Lady Cardinals				
3	6:21	628-23		
3	3:15	630-23		
3	4:47			
3	4:47	30-23* Moore, Tiffany	2 Free Throws - made both	2-2 100X 5-5 83.3X
3	3:21	30-27* Follow Layup by Robinson, Lea		4-12 33.3X 11-28 39.2X
3	3:46			
REP: 13 R: 5 BLK: 1 FO: 7 PF: 0				
S: 2 FT: 3-6 50.0X FB: 11-28 39.2X				
No. 1 Boyle County TIME - D U T				
3	3:37	30-29* 6 ft Lane Jump shot by Thomas, Maisha		4-3 80.0X 12-29 41.3X
3	3:05			
3	3:05	30-31* 6 ft Lane Turnaround by Hurst, Tara		2-4 50.0X 13-30 43.3X
Assist by Hull, Audrey				
Sub In: Hurst, Tara Out: Moore, Tiffany				
3	3:43			
3	2:00			
3	1:33	Foul on Robinson, Lea		3 1
3	1:18	Foul on Thomas, Maisha		2 2
3	0:43	632-31		



BOX SCORE: * OFFICIAL FIRST HALF * Date: 03-15-90 Site: Girls Sweet Sixteen; B.G. Attendance:

Team: George Rogers Clark

NO.	NAME	TOTAL FG		3-POINT		FT	FTA	REB				PF	TP	A	TO	BLK	S	TIME
		FG	FGA	FG	FGA			O	D	T	T							
23	Hull, Audrey	1	2	0	0	0	0	0	0	0	0	2	0	1	0	0	8:00	
30	Robinson, Lea	3	9	0	0	2	2	0	3	3	2	8	1	1	1	2	16:00	
12	Thomas, Maisha	3	4	0	0	0	0	1	4	5	1	6	1	0	0	0	16:00	
23	Moore, Tiffany	0	0	0	0	0	0	0	0	0	1	0	0	1	0	0	14:05	
32	Davis, Stephany	0	4	0	1	1	2	1	0	1	2	1	2	1	0	0	16:00	
31	Hurst, Tara	1	3	0	0	0	0	2	0	2	2	2	1	0	0	0	1:55	
11	Lightner, Mary	2	2	0	0	0	0	1	1	2	0	4	0	1	0	0	8:00	
TEAM								1	1	1								
TOTALS		10	24	0	1	3	4	5	9	14	8	23	5	5	1	2	80	

Percentages: HALF----- FG 10/ 24 41.7% 3-PT. 0/ 1 0.0% FT 3/ 4 75.0%
 Period 1 5/ 9 55.6% 0/ 1 0.0% FT 3/ 4 75.0%
 Period 2 5/ 15 33.3% 0/ 0 0.0% FT 0/ 0 0.0%

Team: Boyle County

NO.	NAME	TOTAL FG		3-POINT		FT	FTA	REB				PF	TP	A	TO	BLK	S	TIME
		FG	FGA	FG	FGA			O	D	T	T							
23	Johnson, Angie	3	5	0	0	1	2	0	0	0	0	7	1	2	1	1	16:00	
32	Feistritzer, Kim	2	4	0	0	3	4	1	3	4	0	7	0	0	0	1	16:00	
11	Wren, Milessa	2	4	0	0	0	0	0	2	2	0	4	4	1	0	0	16:00	
12	Ford, Michele	1	3	0	0	0	1	1	0	1	1	2	1	1	0	0	16:00	
14	Carey, Tina	3	3	0	0	0	1	0	3	3	2	6	1	1	0	0	16:00	
TEAM								1	1	2								
TOTALS		11	19	0	0	4	8	3	9	12	3	26	7	5	1	2	80	

Percentages: HALF----- FG 11/ 19 57.9% 3-PT. 0/ 0 0.0% FT 4/ 8 50.0%
 Period 1 7/ 9 77.8% 0/ 0 0.0% FT 2/ 2 100.0%
 Period 2 4/ 10 40.0% 0/ 0 0.0% FT 2/ 6 33.3%

OFFICIALS: Danny Percell, Phillip Tucker, Alt. -D. Henry

SCORE BY PERIODS

Technical: None

George Rogers Clark	13	10	=	23
Boyle County	16	10	=	26

BOX SCORE: * OFFICIAL FIRST HALF * Date: 03-13-90 Site: Girls Sweet Sixteen; B.G. Attendance:

Team: George Rogers Clark

NO.	NAME	TOTAL FG		3-POINT		FT	FTA	REB			PF	TP	A	TO	BLK	S	TIME
		FG	FGA	FG	FGA			O	D	T							
23	Hull, Audrey	1	2	0	0	0	0	0	0	0	0	2	0	1	0	0	8:00
30	Robinson, Lea	3	9	0	0	2	2	0	3	3	2	8	1	1	1	2	16:00
12	Thomas, Malsha	3	4	0	0	0	0	1	4	5	1	6	1	0	0	0	16:00
25	Moore, Tiffany	0	0	0	0	0	0	0	0	0	1	0	0	1	0	0	14:05
32	Davis, Stephany	0	4	0	1	1	2	1	0	1	2	1	2	1	0	0	16:00
31	Hurst, Tara	1	3	0	0	0	0	2	0	2	2	2	1	0	0	0	1:33
11	Lightner, Mary	2	2	0	0	0	0	1	1	2	0	4	0	1	0	0	8:00
TEAM									1	1							
TOTALS		10	24	0	1	3	4	5	9	14	8	23	3	3	1	2	80

Percentages: HALF----- FG 10/ 24 41.7% 3-PT. 0/ 1 0.0% FT 3/ 4 75.0%
 Period 1 3/ 9 33.3% 0/ 1 0.0% FT 3/ 4 75.0%
 Period 2 5/ 15 33.3% 0/ 0 0.0% FT 0/ 0 0.0%

Team: Boyle County

NO.	NAME	TOTAL FG		3-POINT		FT	FTA	REB			PF	TP	A	TO	BLK	S	TIME
		FG	FGA	FG	FGA			O	D	T							
23	Johnson, Angie	3	5	0	0	1	2	0	0	0	0	7	1	2	1	1	16:00
32	Feistritzer, Kim	2	4	0	0	3	4	1	3	4	0	7	0	0	0	1	16:00
11	Wren, Milessa	2	4	0	0	0	0	0	2	2	0	4	4	1	0	0	16:00
12	Ford, Michele	1	3	0	0	0	1	1	0	1	1	2	1	1	0	0	16:00
14	Carey, Tina	3	3	0	0	0	1	0	3	3	2	6	1	1	0	0	16:00
TEAM								1	1	2							
TOTALS		11	19	0	0	4	8	3	9	12	3	26	7	5	1	2	80

Percentages: HALF----- FG 11/ 19 57.9% 3-PT. 0/ 0 0.0% FT 4/ 8 50.0%
 Period 1 7/ 9 77.8% 0/ 0 0.0% FT 2/ 2 100.0%
 Period 2 4/ 10 40.0% 0/ 0 0.0% FT 2/ 6 33.3%

OFFICIALS: Danny Percell, Phillip Tucker, Alt. -D. Henry SCORE BY PERIODS
 Technicals: None George Rogers Clark 13 10 = 23
 Boyle County 16 10 = 26

Produced by the N.H.S.R.R. Stat Crew with FINAL III - a Product of LEXICON SPORTS™

George Rogers Clark "Lady Cardinals" vs Boyle County "Lady Rebels"
1st Half Play by Play

PAGE : 2

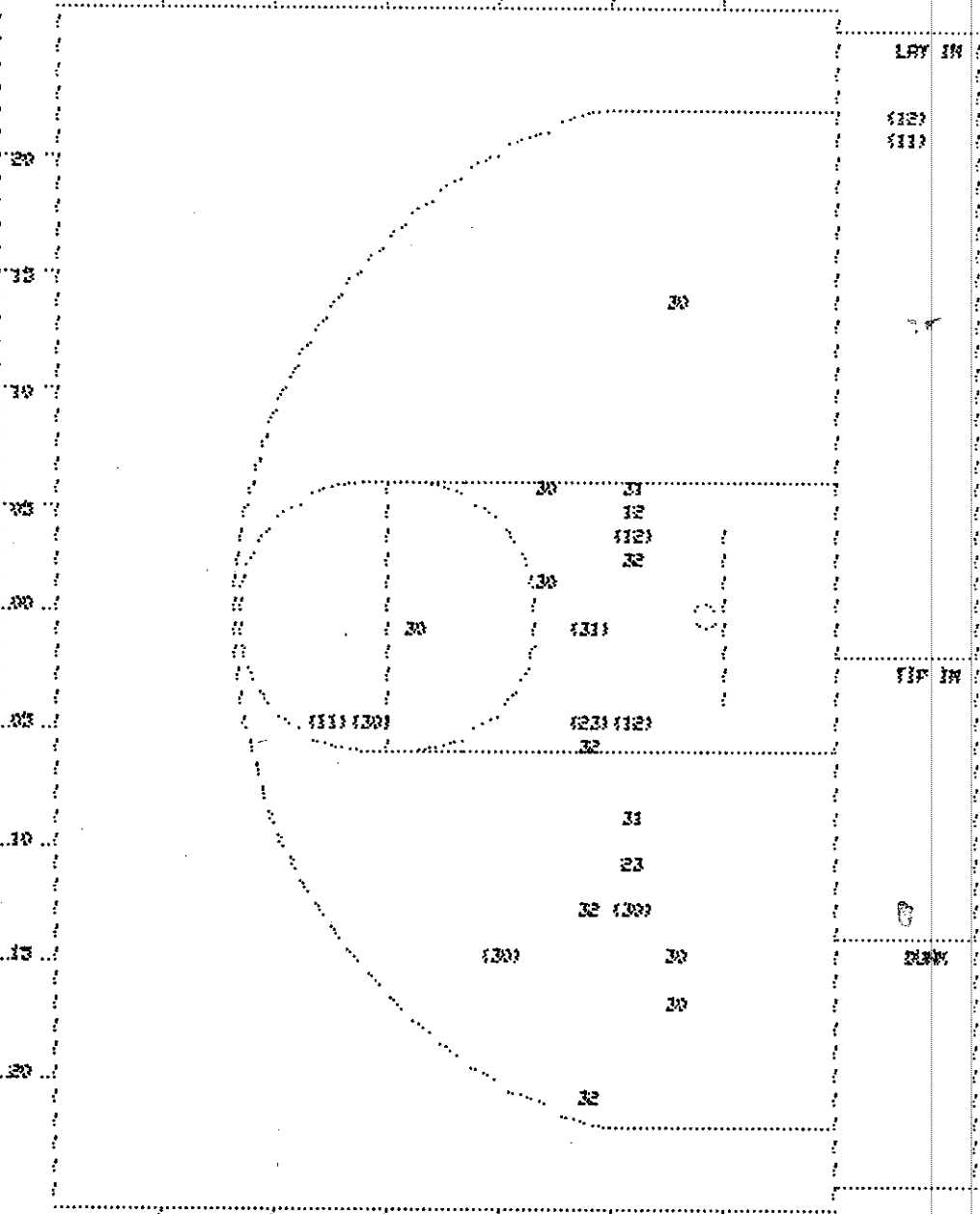
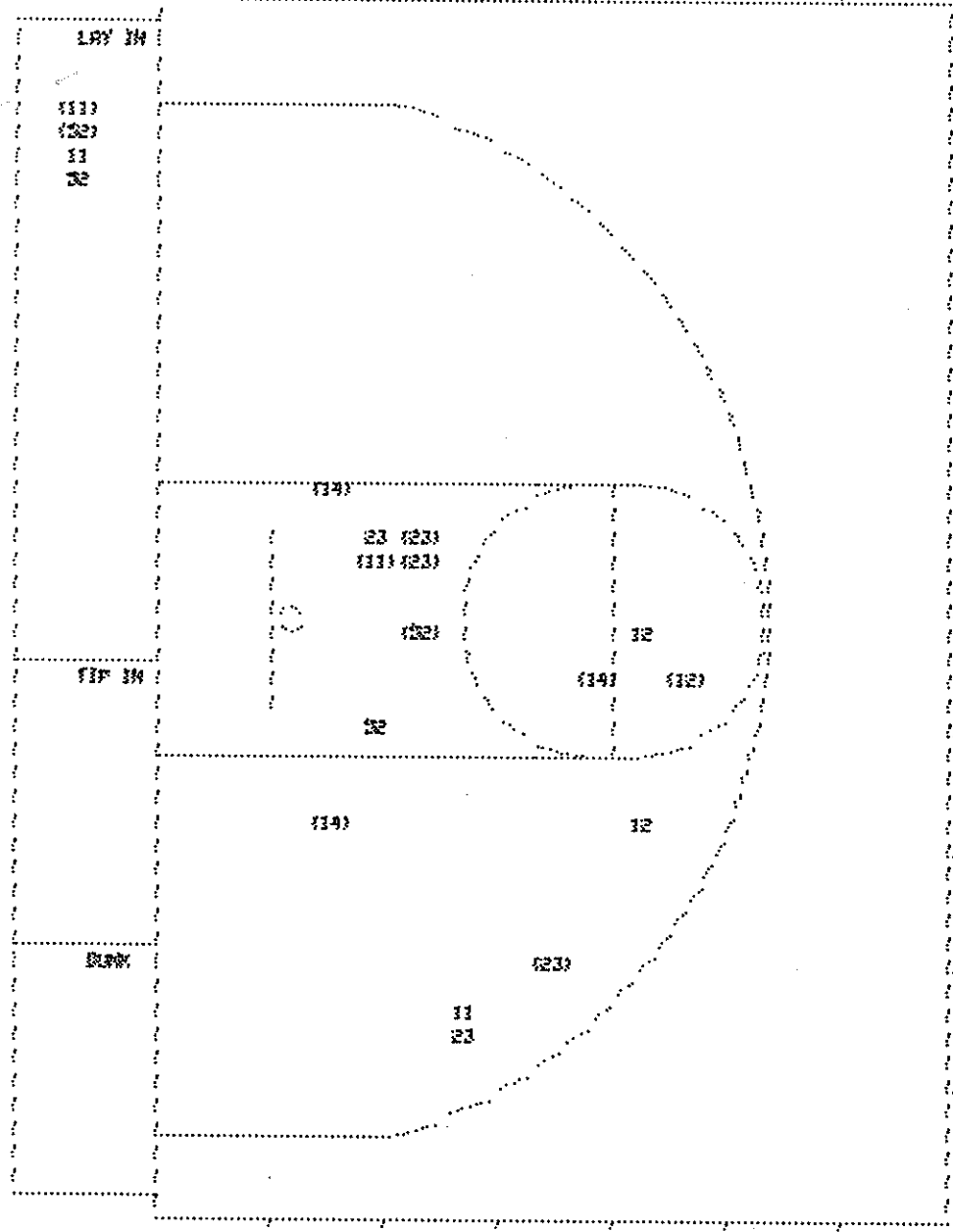
Tip off at 12:00 CST on 02/15/90 at Girl's Sweet Sixteen, R.G.
Produced by the N.H.S.A.A. Stat Crew with FINRA III - a Product of LEXICON SPORTS™

Player	Team	Boyle County	Time	Score	George Rogers Clark	Player	Team
Johnson, Angie, Feistritzer, Kim, Wren, Milessa, Ford, Michele, Carey, Tina Ball to Lady Rebels			Lightner, Mary, Robinson, Lea, Thomas, Maisha, Moore, Tiffany, Davis, Stephany				
1-2	30.0X	8-10 30.0X	4 Ft Lane Driving by Wren, Milessa	2 7:23	*18-13		
				2 7:22	18-13* Follow Layup by Lightner, Mary	1-1	100X 6-11 34.0X
				2 6:30	18-17* 12 Ft Right Side Jump shot by Robinson, Lea Assist by Hurst, Tara	3-3	60.0X 7-12 38.0X
2-3	66.6X	9-13 66.6X	Driving Layup by Wren, Milessa	2 6:03	*20-17	1	4
				2 5:39	20-19* 4 Ft Lane Bank by Thomas, Maisha	3-3	100X 8-13 61.0X
				2 3:35			
				2 3:21	*22-19		
2-3	66.6X	10-13 66.6X	Driving Layup by Feistritzer, Kim Assist by Wren, Milessa	2 3:06	Foul on Davis, Stephany	1	4
4	6			2 4:31	Foul on Davis, Stephany	2	3
0-1	00.0X	2-3 66.6X	Ford, Michele 1 & Bonus - missed 1st	2 4:30			
				2 4:34	22-21* 16 Ft Circle Jump shot by Lightner, Mary Assist by Robinson, Lea	2-2	100X 9-12 60.0X
				2 3:28	22-23* 4 Ft Lane Follow by Hurst, Tara	1-2	50.0X 10-18 33.0X
3-4	75.0X	3-3 60.0X	Feistritzer, Kim 1 & Bonus - made 1st missed 2nd	2 2:52	Foul on Robinson, Lea	1	6
3-3	100X	11-17 64.7X	8 Ft Left Base Line Jump shot by Carey, Tina Assist by Ford, Michele	2 2:32	*23-23		
1	7			2 2:12	*25-23		
0-1	00.0X	3-5 30.0X	Carey, Tina 1 & Bonus - missed 1st	2 1:06	Foul on Robinson, Lea	2	7
				2 1:06			
1-2	30.0X	4-2 30.0X	Johnson, Angie 2 Free Throws - made 1st missed 2nd	2 0:06	Foul on Hurst, Tara	2	8
				2 0:06	*25-23		
				2 0:00	Rebound by TEAM	0-1	1st-1 0-1 1st-14

No. 1 Boyle County TIME - OUT

REB: 3 A: 4 BLK: 1 YD: 5 FF: 3
S: 2 FT: 3-9 75.0X FB: 3-13 61.0X

Player	Team	Boyle County	Time	Score	George Rogers Clark	Player	Team
Johnson, Angie, Feistritz, Kim, Wren, Milessa, Ford, Michele, Carey, Tina					Hull, Audrey, Robinson, Lea, Thomas, Maisha, Moore, Tiffany, Davis, Stephany Ball to Lady Cardinals		
1-1	100X	1-1	100X	6 ft Lane Turnaround by Carey, Tina	1 7:05	0-2*	
				Assist by Wren, Milessa	1 8:07	62-2	
				Foul on Carey, Tina	1 3:32		
					1 3:52	2-4*	Robinson, Lea 2 Free Throws - made both
1-1	100X	2-2	100X	17 ft Left Side Jump shot by Johnson, Angie	1 3:30	2-6*	12 ft Lane Jump shot by Robinson, Lea
1-1	100X	3-3	100X	4 ft Lane Bank by Feistritz, Kim	1 4:25	*4-6	
				Assist by Johnson, Angie	1 4:30	*5-6	
					1 3:23		Foul on Thomas, Maisha
				Foul on Carey, Tina	1 3:41		
					1 3:19	5-8*	16 ft Right Side Jump shot by Robinson, Lea
							Assist by Thomas, Maisha
					1 3:09		Foul on Moore, Tiffany
2-2	100X	2-2	100X	Feistritz, Kim 2 Free Throws - made both	1 3:09	*8-8	
					1 2:46	8-10*	5 ft Lane Bank by Hull, Audrey
							Assist by Davis, Stephany
2-2	100X	4-6	66.5X	12 ft Lane Jump shot by Carey, Tina	1 2:34	*10-10	
2-3	66.5X	5-7	71.4X	6 ft Lane Bank by Johnson, Angie	1 2:06	*12-10	
				Assist by Wren, Milessa			
1-1	100X	6-8	73.0X	16 ft Circle Jump shot by Ford, Michele	1 1:23		Sub In: Hurst, Tara Out: Moore, Tiffany
				Assist by Wren, Milessa	1 1:23	*14-10	
					1 1:34	14-12*	4 ft Lane Bank by Thomas, Maisha
				Foul on Ford, Michele			Assist by Davis, Stephany
					1 0:43		
					1 0:43	14-12*	Davis, Stephany 2 Free Throws - made 1st missed 2nd
1-0	73.0X	7-9	77.7X	6 ft Lane Bank by Johnson, Angie	1 0:26	*16-12	
				Assist by Carey, Tina			
					1 0:04		Foul on Hurst, Tara



Boyle County		George Rogers Clark	
Player	Player	Player	Player
23 - Johnson, R	3 / 3	100.0%	
22 - Feistritz	2 / 4	50.0%	
11 - Wren, Mike	2 / 4	50.0%	
12 - Ford, Mich	1 / 1	100.0%	
14 - Carey, Tim	3 / 3	100.0%	
Layups	1-9 Ft	10-15 Ft	Over 15 Ft
	2 / 4	6 / 8	1 / 2
	50.0%	75.0%	50.0%
			40.0%
			57.0%

George Rogers Clark		Boyle County	
Player	Player	Player	Player
21 - Hull, Rudy	1 / 2	50.0%	
30 - Robinson,	3 / 9	33.3%	
12 - Thomas, Ma	3 / 4	75.0%	
32 - Davis, Ste	0 / 4	0.0%	
11 - Lightner,	2 / 2	100.0%	
Layups	1-9 Ft	10-15 Ft	Over 15 Ft
	2 / 2	4 / 11	2 / 7
	100.0%	36.4%	28.6%
			55.7%
			0.0%
			41.7%